

1 2 3 4 5 6

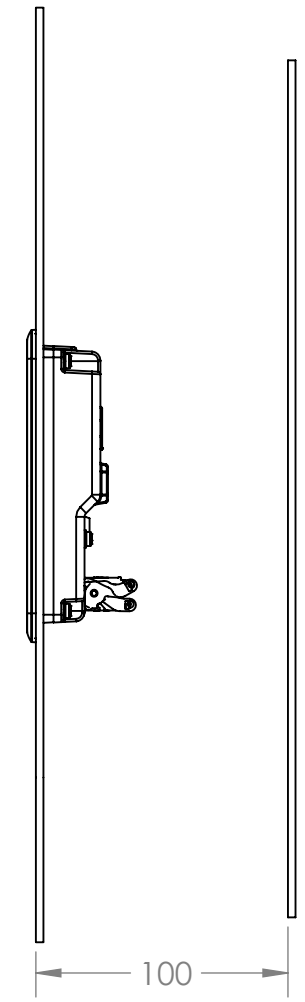
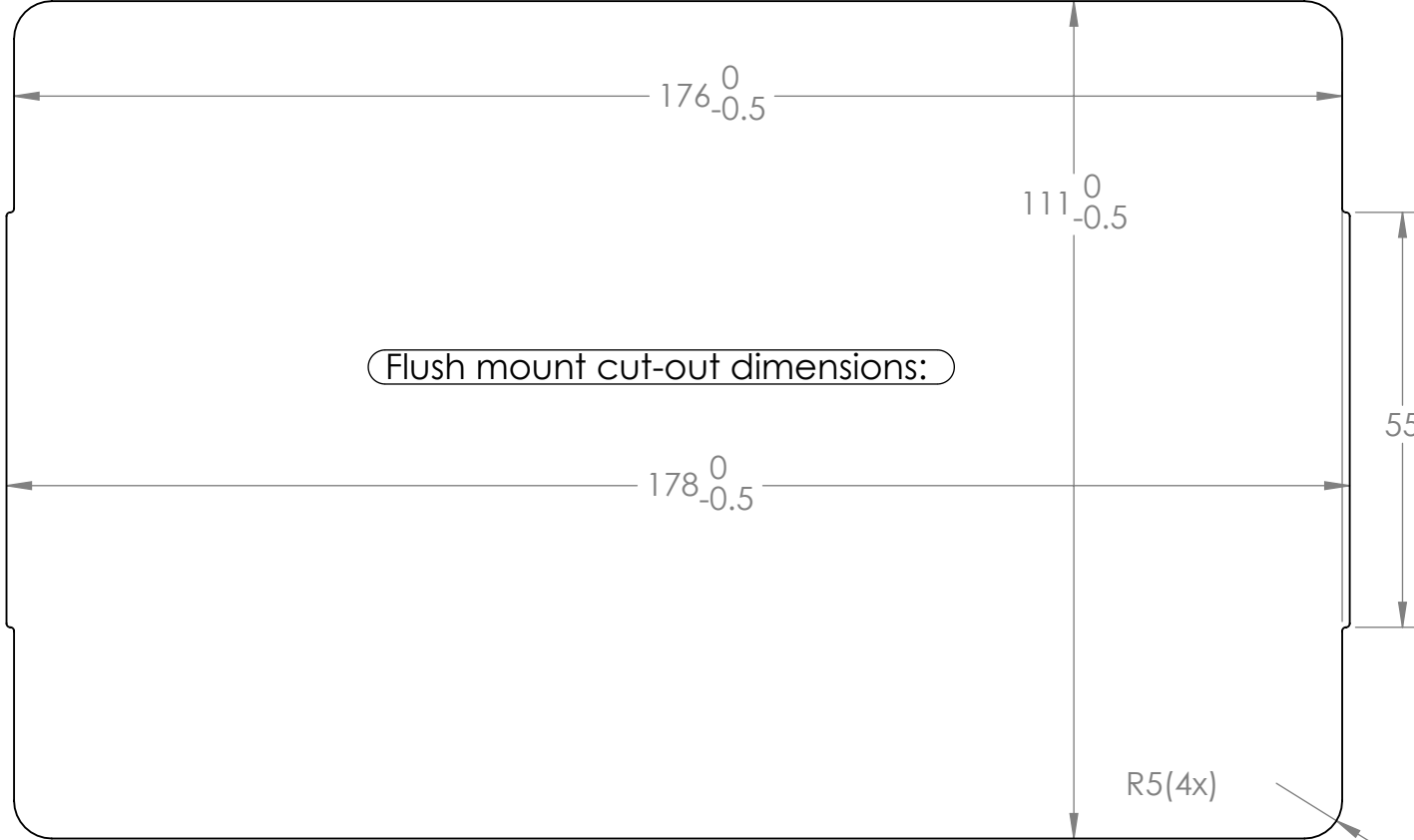
Flush mount cut-out Drawing

BPP900480100

Ekrano GX

A

A



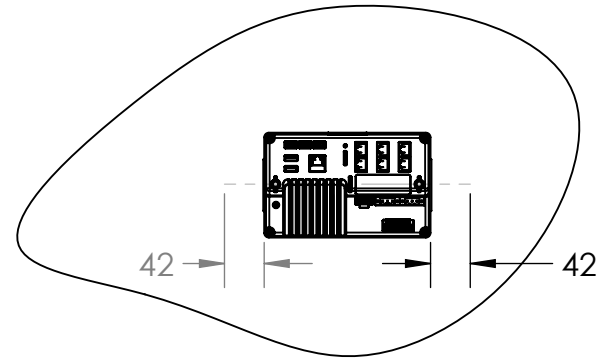
minimal installation depth:

B

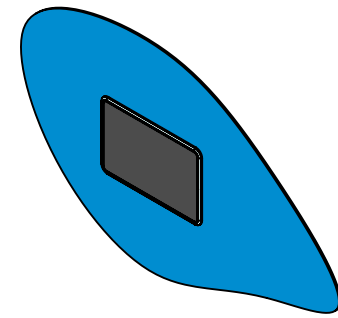
B

C

C



minimal space besides cut-out:



Dimensions in mm



victron energy
BLUE POWER

Rev00

1 2 3 4 5 6